

AS 1301415

|              |              |
|--------------|--------------|
| PROJECT      | DESIGNATION  |
| STI/70-1(A)7 | 9612770      |
| CONTRACT     | BRIDGE FILE  |
| B-23206      | I-70-4-2310B |

| INDEX        |   |                                     |                                  |             |
|--------------|---|-------------------------------------|----------------------------------|-------------|
| STRUCTURE    | TYPE  | SPAN AND SKEW                       | OVER                             | STATION     |
| I-70-4-2310B | CONTINUOUS STEEL BEAM BRIDGE                        | 12.57m, 2 @ 15.10m, 12.57m - SQUARE | ABANDONED RAILROAD & ACCESS ROAD | 6 + 562.527 |
| SHEET NO.    | SUBJECT   |                                     |                                  |             |
| 1            | TITLE SHEET   |                                     |                                  |             |
| 2            | TRAFFIC MAINTENANCE DETAILS (PHASE I CONSTRUCTION)  |                                     |                                  |             |
| 3            | TRAFFIC MAINTENANCE DETAILS (PHASE II CONSTRUCTION) |                                     |                                  |             |
| 4            | TRAFFIC MAINTENANCE DETAILS                         |                                     |                                  |             |
| 5            | GENERAL PLAN  |                                     |                                  |             |

INDIANA  
DEPARTMENT OF  
TRANSPORTATION

BRIDGE PLANS  
FOR SPANS OVER 6.1 METERS  
ON  
I-70

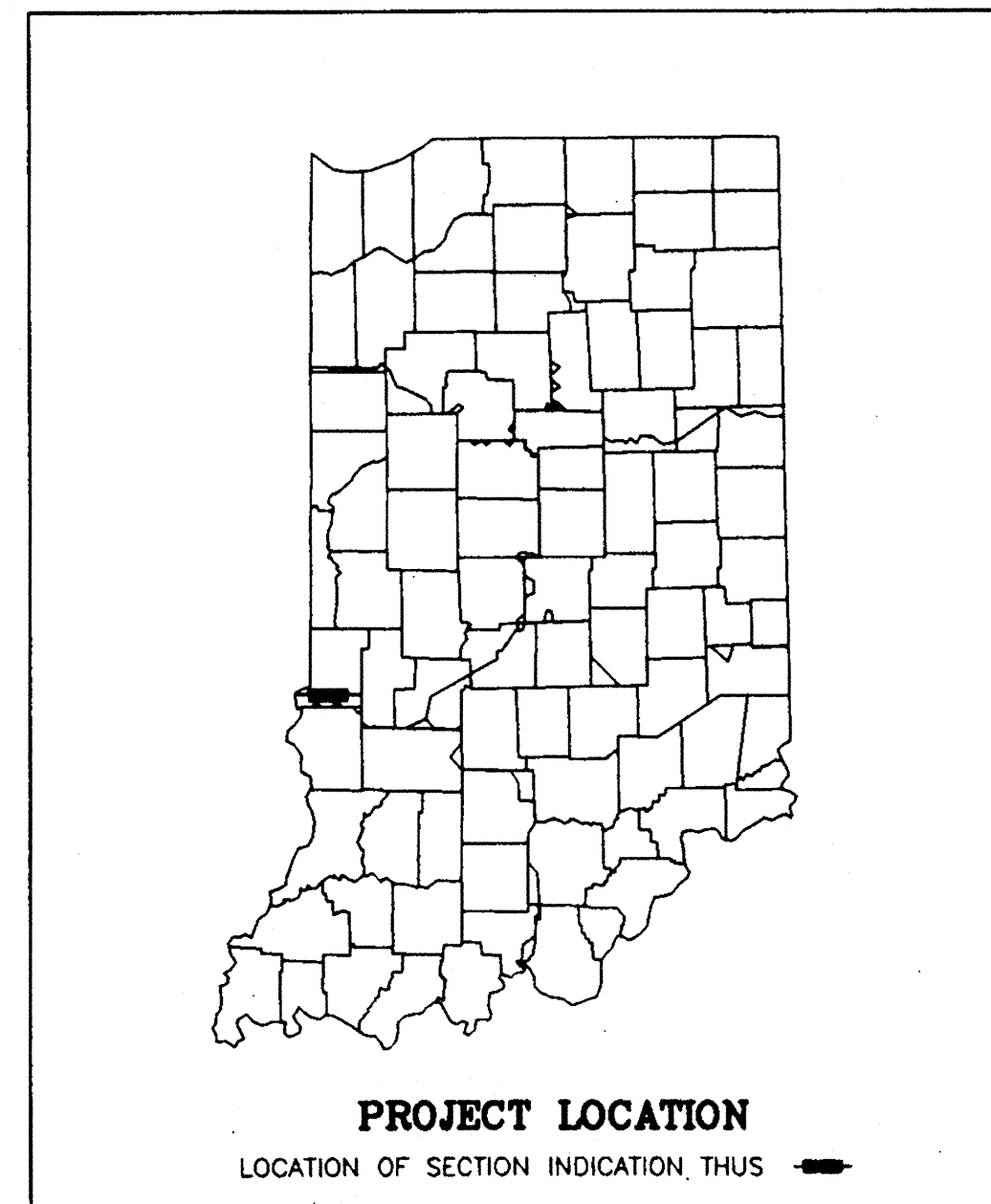
PROJECT NO.

ST/9999(091) P.E.  
R/W  
STI/70-1(A)7 CONST.  
UTIL.

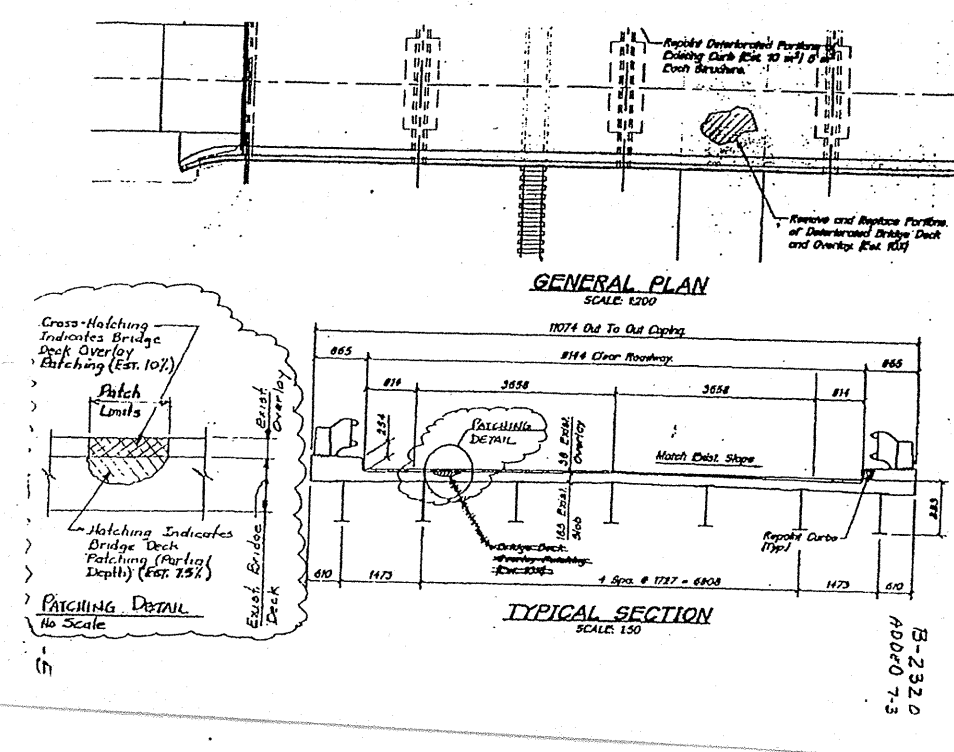
R.P. = 3 + 90

BRIDGE DECK PATCHING & JOINT REPLACEMENT TO STRUCTURE I-70-4-2310A OVER ABANDONED RAILROAD AND ACCESS ROAD, ALL IN SECTIONS 36 IN R 10 W, T 12 N AND R 9 W, T 12 N ALL IN SECTION 25 IN VIGO COUNTY.

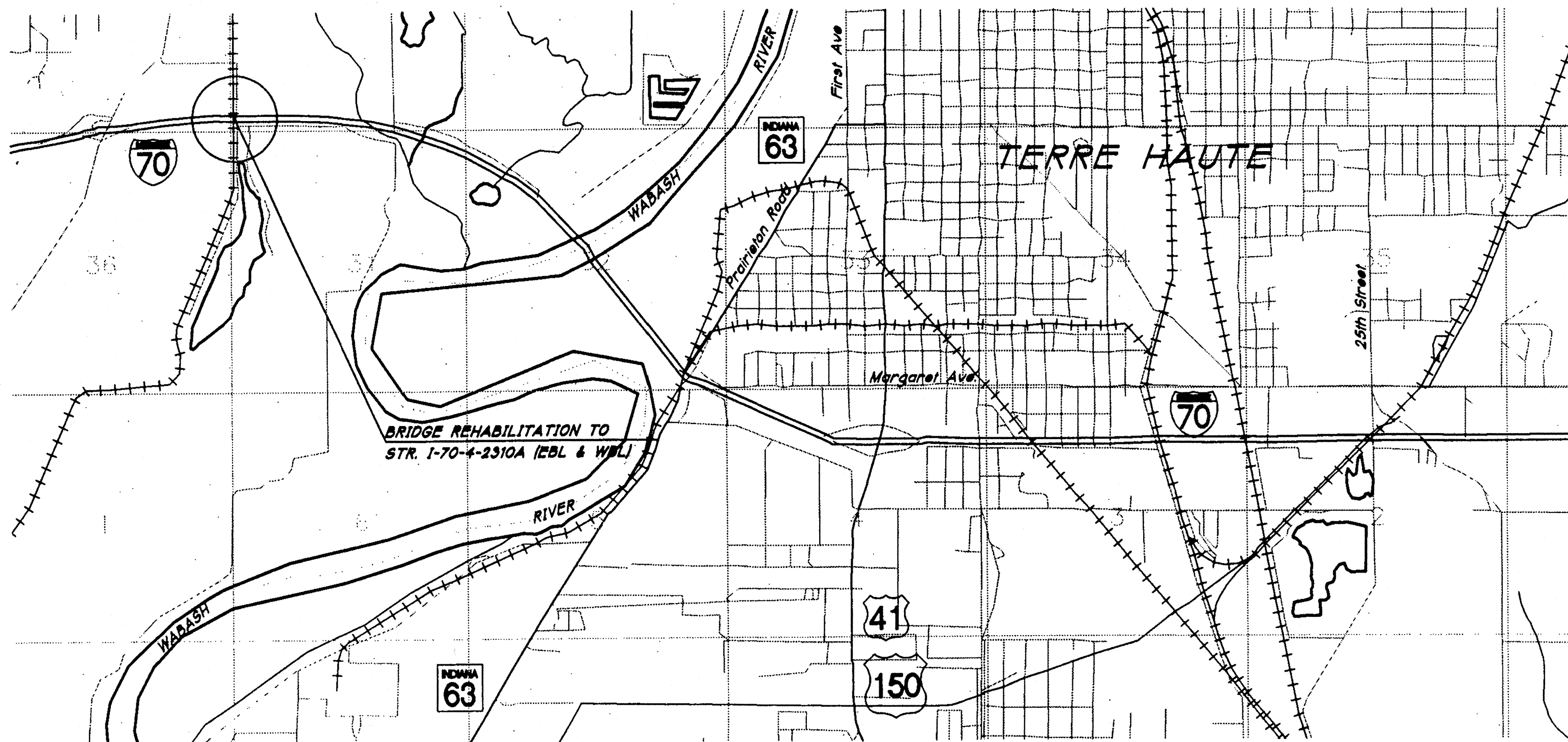
| TRAFFIC DATA              |                        |
|---------------------------|------------------------|
| A.A.D.T. 1997             | 8100 (Eq. Str.) V.P.D. |
| A.A.D.T.                  | V.P.D.                 |
| D.H.V.                    | V.P.H.                 |
| DIRECTIONAL DISTRIBUTION  | %                      |
| TRUCKS                    | % D.H.V.               |
|                           | % A.A.D.T.             |
| DESIGN DATA               |                        |
| DESIGN SPEED              | 105 K.P.H.             |
| PROJECT DESIGN CRITERIA   |                        |
| FUNCTIONAL CLASSIFICATION | FREEWAY                |
| RURAL/URBAN               | URBAN                  |
| TERRAIN                   | LEVEL                  |
| ACCESS CONTROL            | UNLIMITED              |



PART 2 OF 3  
B-23206



| STANDARD DRAWING INDEX |                   |  |               |                  |
|------------------------|-------------------|--|---------------|------------------|
| SHEET NO.              | SHEET DESIGNATION | SUBJECT  | FHWA APPROVAL | ADOPTED REVISION |
|                        |                   | SEE SPECIAL PROVISIONS FOR REQUIRED STANDARDS TO BE USED WITH THIS CONTRACT. |               |                  |



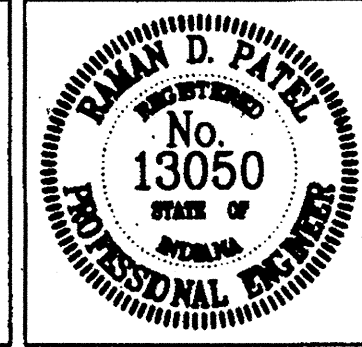
| LEGEND           |            |
|------------------|------------|
| BRIDGE LENGTH :  | .05167 KM. |
| ROADWAY LENGTH : | KM.        |
| TOTAL LENGTH :   | KM.        |
| MAX GRADE :      | +2.576 %   |

Date: 4/10/1997  
Scale: 1"=2000'(AS)  
Drawn: RPS/STAMP

| REVISIONS |           |
|-----------|-----------|
| DATE      | SHEET NO. |
|           |           |
|           |           |
|           |           |

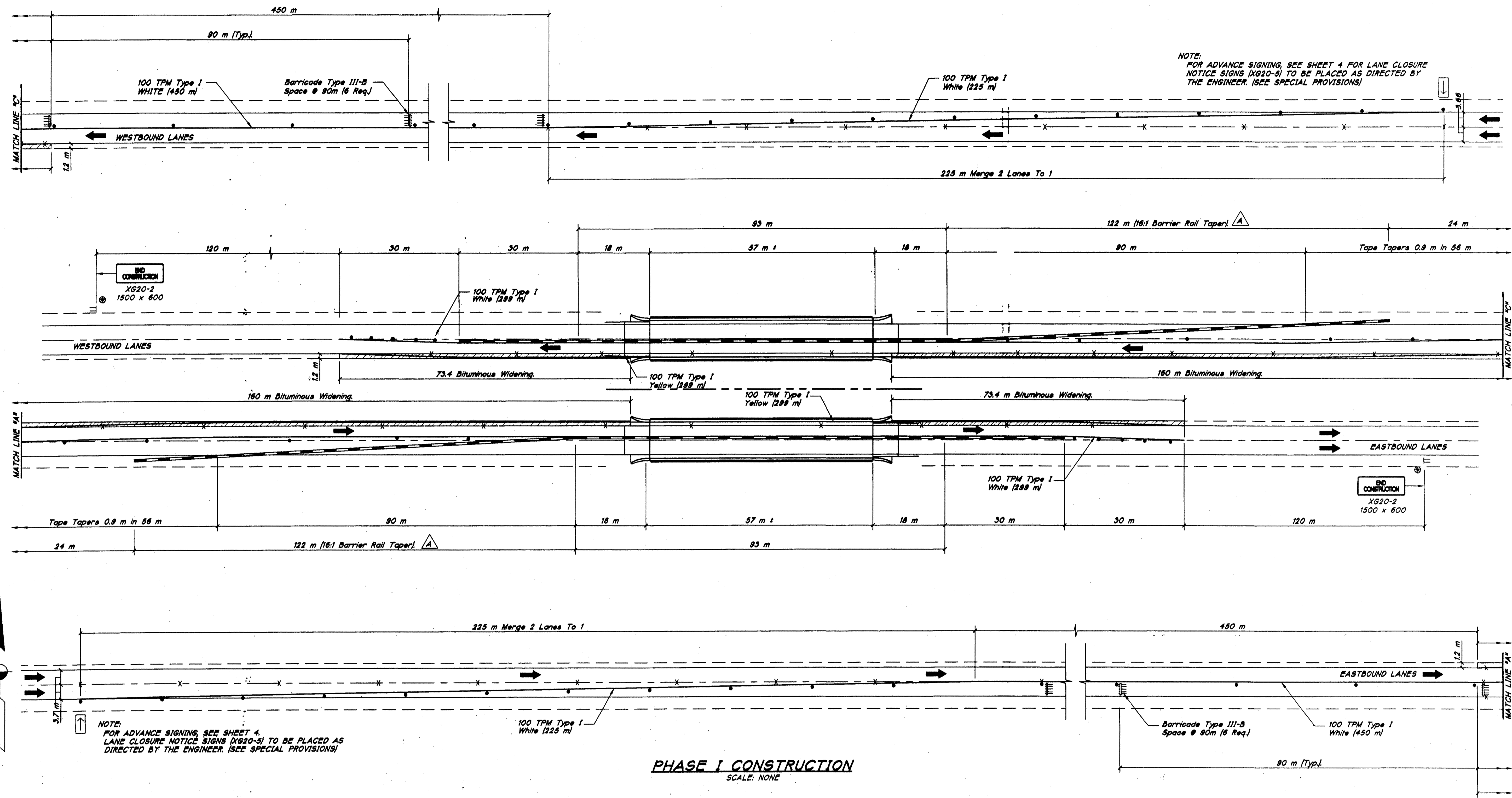
FEDERAL HIGHWAY ADMINISTRATION  
U.S. DEPT. OF TRANSPORTATION  
APPROVED: \_\_\_\_\_  
DATE \_\_\_\_\_  
DIVISION ADMINISTRATOR

PLANS PREPARED BY: **RQAW Corporation** (317) 255-8060  
PHONE NUMBER  
CERTIFIED BY: *[Signature]* 4-11-97  
DATE  
APPROVED FOR LETTING: *[Signature]* 4/22/97  
DATE  
CHIEF, DIVISION OF DESIGN



INDIANA DEPARTMENT OF TRANSPORTATION  
STANDARD SPECIFICATIONS DATED 1995  
TO BE USED WITH THESE PLANS

|              |             |
|--------------|-------------|
| BRIDGE FILE  |             |
| I-70-4-2310B | DESIGNATION |
| 9612770      |             |
| SHEETS       |             |
| 1            | of 5        |
| CONTRACT     |             |
| B-23206      | PROJECT     |
| STI/70-1(A)7 |             |



NOTE:  
FOR ADVANCE SIGNING, SEE SHEET 4 FOR LANE CLOSURE  
NOTICE SIGNS (XG20-5) TO BE PLACED AS DIRECTED BY  
THE ENGINEER. (SEE SPECIAL PROVISIONS)

NOTE:  
FOR ADVANCE SIGNING, SEE SHEET 4.  
LANE CLOSURE NOTICE SIGNS (XG20-5) TO BE PLACED AS  
DIRECTED BY THE ENGINEER. (SEE SPECIAL PROVISIONS)

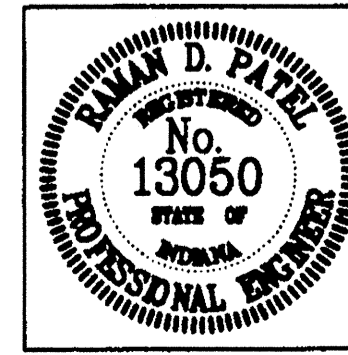
**PHASE I CONSTRUCTION**  
SCALE: NONE

**LEGEND**

- INDICATES TEMPORARY CONCRETE BARRIER RAIL.
- INDICATES DIRECTION OF TRAFFIC.
- INDICATES FLASHING ARROW SIGN.
- INDICATES REMOVAL OF EXISTING PAVEMENT MARKINGS.
- INDICATES LOW INTENSITY FLASHING YELLOW LIGHT, TYPE A.
- — INDICATES STANDARD DRUM.
- △ — INDICATES TEMPORARY CONCRETE BARRIER (ANCHORED) LIMITS.  
SEE ROAD STANDARD 602-TCCB-01 THRU 602-TCCB-04.
- INDICATES BITUMINOUS WIDENING.
- INDICATES STANDARD BARRICADE TYPE III-B.

All Dimensions Are In Millimeters  
Inm, And All Elevations Are  
In Meters (m), Except As Noted.

Date: 7/10/1997  
 Scale: 1"=50'(P)  
 Project: I-70/4-2310B (R&M, ROW)  
 Name: MASTING, ROSTAMP, BR-200, PHASE-1, MET-DATA



RECOMMENDED FOR APPROVAL: *[Signature]* 2-11-97  
DESIGN ENGINEER DATE

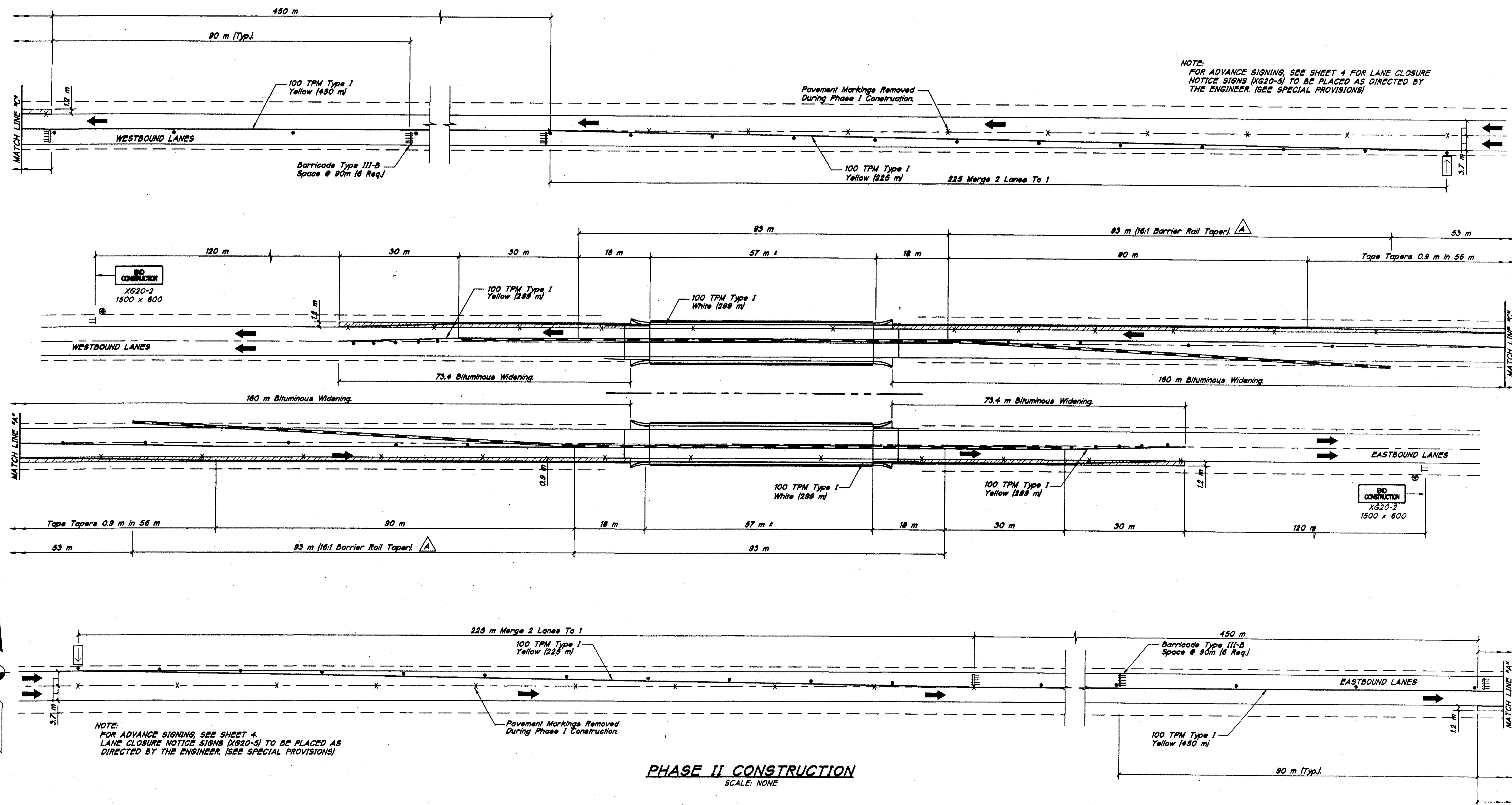
DESIGNED: \_\_\_\_\_ DRAWN: S.BENGOCHEA

CHECKED: \_\_\_\_\_ CHECKED: S.J.

INDIANA  
DEPARTMENT OF TRANSPORTATION

TRAFFIC MAINTENANCE DETAILS  
PHASE I CONSTRUCTION

|                  |              |
|------------------|--------------|
| HORIZONTAL SCALE | BRIDGE FILE  |
| AS NOTED         | I-70-4-2310B |
| VERTICAL SCALE   | DESIGNATION  |
| AS NOTED         | 9612770      |
| SURVEY BOOK      | SHEETS       |
|                  | 2 of 5       |
| CONTRACT         | PROJECT      |
| R-23206          | STI/70-1(A)7 |



**LEGEND**

- INDICATES TEMPORARY CONCRETE BARRIER RAIL.
- INDICATES DIRECTION OF TRAFFIC.
- INDICATES FLASHING ARROW SIGN.
- INDICATES REMOVAL OF EXISTING PAVEMENT MARKINGS.
- ⊗ — INDICATES LOW INTENSITY FLASHING YELLOW LIGHT, TYPE A.
- — INDICATES STANDARD DRUM.
- △ — INDICATES TEMPORARY CONCRETE BARRIER (ANCHORED) LIMITS. SEE ROAD STANDARD 602-TCCB-01 THRU 602-TCCB-04.
- ▨ — INDICATES BITUMINOUS WIDENING.
- INDICATES STANDARD BARRICADE TYPE III-B

All Dimensions Are in Millimeters (mm), And All Elevations Are in Meters (m), Except As Noted.

Date: 10/28/87  
 Drawn: S. BENGOCHEA  
 Scale: 1:500 (1"=500')

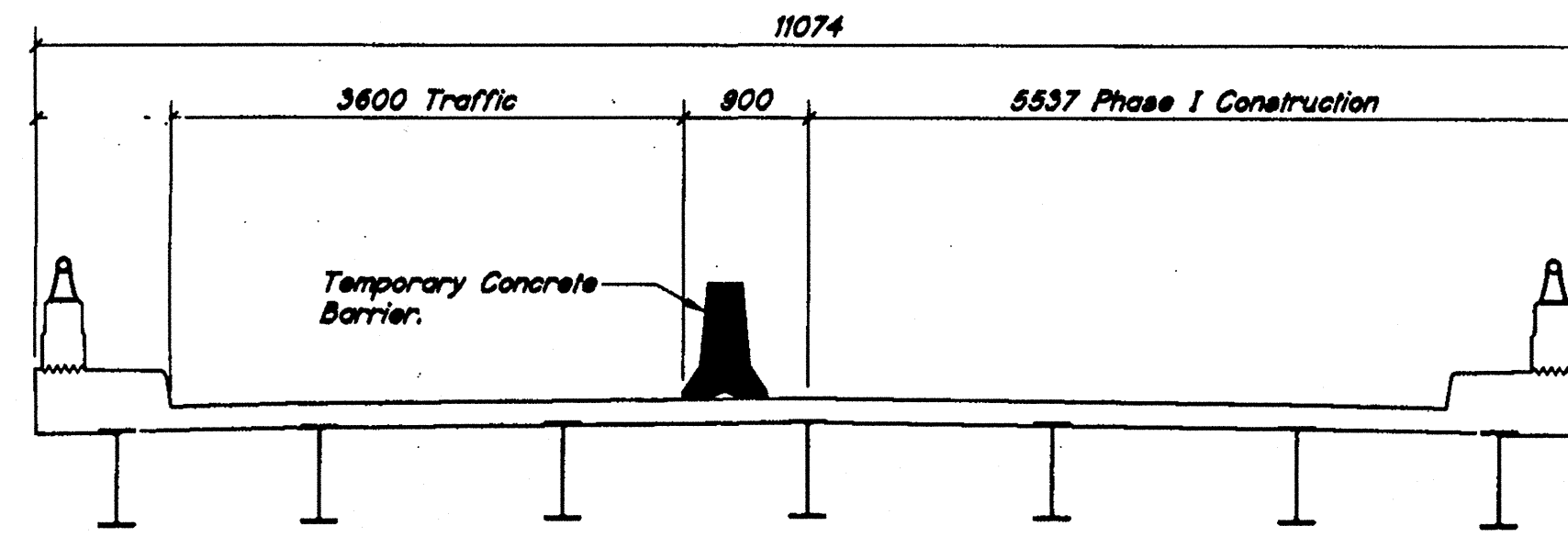


|                          |                     |         |
|--------------------------|---------------------|---------|
| RECOMMENDED FOR APPROVAL | <i>R. D. Patel</i>  | 4-11-87 |
| DESIGNED:                | DRAWN: S. BENGOCHEA | DATE    |
| CHECKED:                 | CHECKED: S. J.      |         |

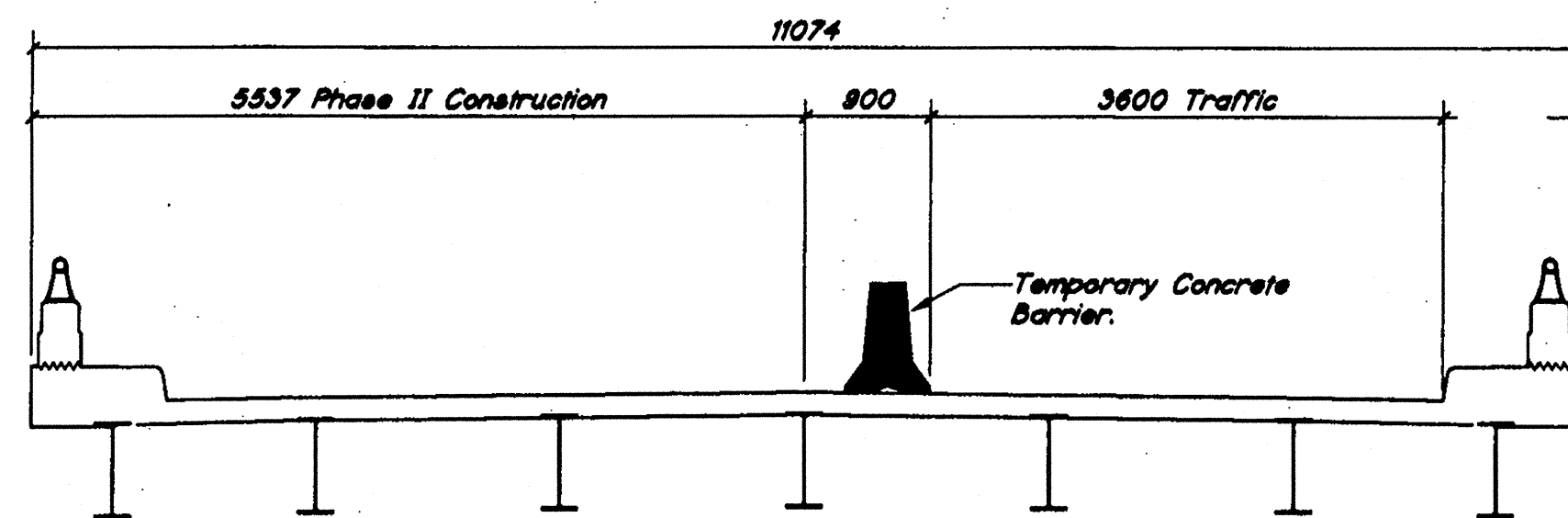
INDIANA  
DEPARTMENT OF TRANSPORTATION

TRAFFIC MAINTENANCE DETAILS  
PHASE II CONSTRUCTION

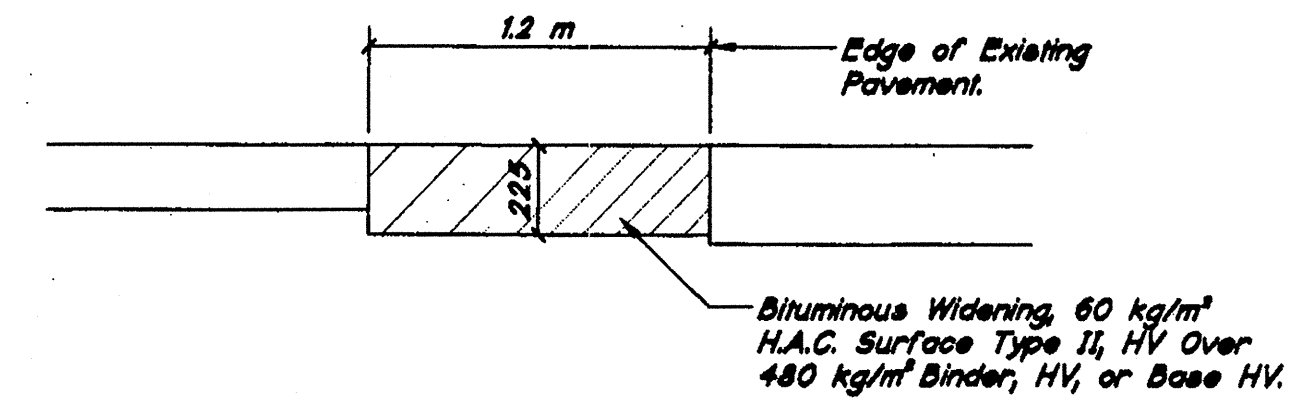
|                  |              |
|------------------|--------------|
| HORIZONTAL SCALE | BRIDGE FILE  |
| AS NOTED         | I-70-4-2310B |
| VERTICAL SCALE   | DESIGNATION  |
| AS NOTED         | 9612770      |
| SURVEY BOOK      | SHEETS       |
|                  | 3 of 5       |
| CONTRACT         | PROJECT      |
| B-23266          | STI/70-1(A)7 |



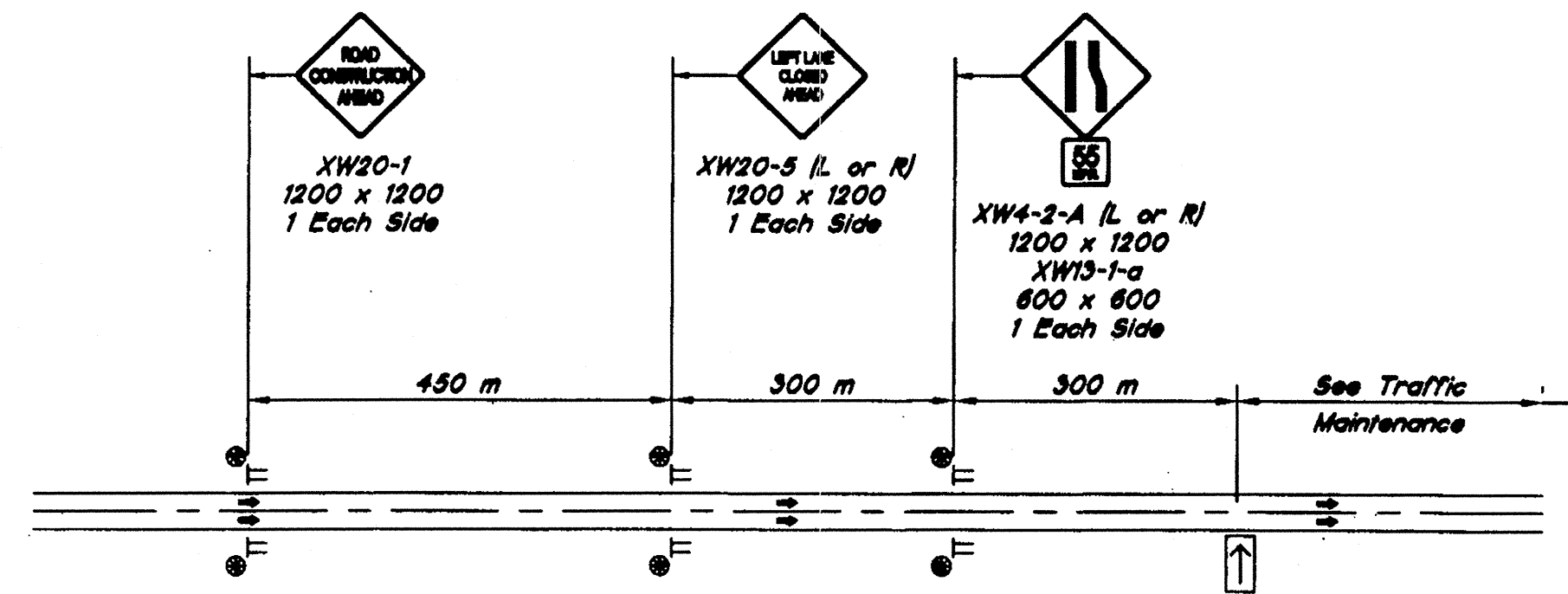
**TYPICAL SECTION  
PHASE I CONSTRUCTION**  
SCALE: 1:50



**TYPICAL SECTION  
PHASE II CONSTRUCTION**  
SCALE: 1:50



**BITUMINOUS WIDENING**  
SCALE: 1:20



**ADVANCE SIGNING DETAIL**  
SCALE: NONE

**SEPARATE PAY ITEMS**

|  |          |
|--|----------|
| Maintaining Traffic                        | 1 Lsum   |
| Temporary Concrete Barrier Rail            | 246 m    |
| Temporary Concrete Barrier Rail (Anchored) | 244 m    |
| Construction Sign, A                       | 16 Each  |
| Construction Sign, B                       | 4 Each   |
| Barricade, III-B                           | 12 Each  |
| Line, Remove                               | 1646 m   |
| Temporary Pavement Marking, I, White, 100  | 2546 m   |
| Temporary Pavement Marking, I, Yellow, 100 | 2546 m   |
| Line, Paint, Solid, White, 100             | 598 m    |
| Line, Paint, Solid, Yellow, 100            | 598 m    |
| Line, Paint, Broken, White, 125            | 112 m    |
| Flashing Arrow                             | 120 Days |
| Bituminous Mixture for Approaches, HV      | 605 Mg.  |

**LINE REMOVAL NOTES**

The Existing Broken White Centerline Along The 225m Tape Taper on The Incoming Ends of Each Structure Shall be Removed Prior to Phase I Construction.

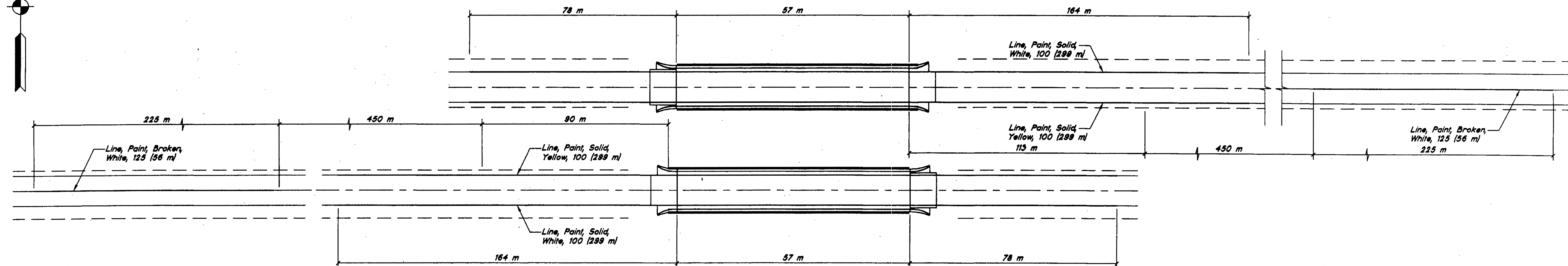
The Existing Solid White Line Along The Outside Edge of Pavement From The Start of The 56m Tape Taper on The Incoming Ends of Each Structure to The End of The 56m Tape Taper on The Outgoing Ends of Each Structure Shall be Removed Prior to Phase I & Phase II Construction.

**NOTES**

1. Bituminous Widening Shall Remain in Place.
2. Approved Lights Shall Mark Signs & Barricades Continuously at Night.

**MATERIAL NOTES:**

BITUMINOUS WIDENING:  
60 Kg/m² H.A.C. SURFACE TYPE II, HV OVER 480 kg/m² BITUMINOUS BINDER, HV, OR BASE, HV.



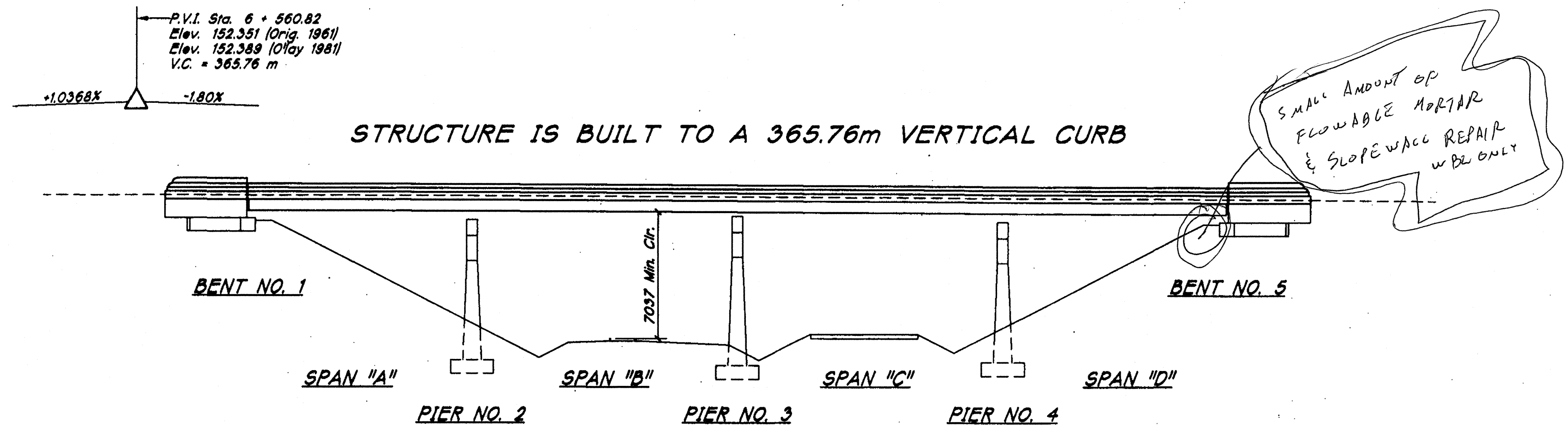
**PAVEMENT MARKINGS**  
SCALE: NONE

Title: 1115241  
 Date: 4/10/1997  
 Scale: 1:50  
 XREF: AUSTAMP, AUSTAMP, MET-DATA, TH-MARK, TH-SEC, PAY-ITEM

All Dimensions Are in Millimeters (mm), And All Elevations Are in Meters (m), Except As Noted.

|  |  |   |                                    |  |
|--|--|---|------------------------------------|--|
|  | RECOMMENDED FOR APPROVAL: <i>[Signature]</i> 4-11-97<br>DESIGN ENGINEER DATE | <b>INDIANA<br/>DEPARTMENT OF TRANSPORTATION</b> | HORIZONTAL SCALE                   | BRIDGE FILE                            |
|  | DESIGNED: _____ DRAWN: S.BENGOCHEA<br>CHECKED: _____ CHECKED: SJ             |   | <b>TRAFFIC MAINTENANCE DETAILS</b> | AS NOTED<br>VERTICAL SCALE<br>AS NOTED |
|  |  |   | SURVEY BOOK                        | SHEETS                                 |
|  |  |   | CONTRACT                           | 4 of 5                                 |
|  |  |   | P-28206                            | PROJECT<br>STI/70-1(A)7                |

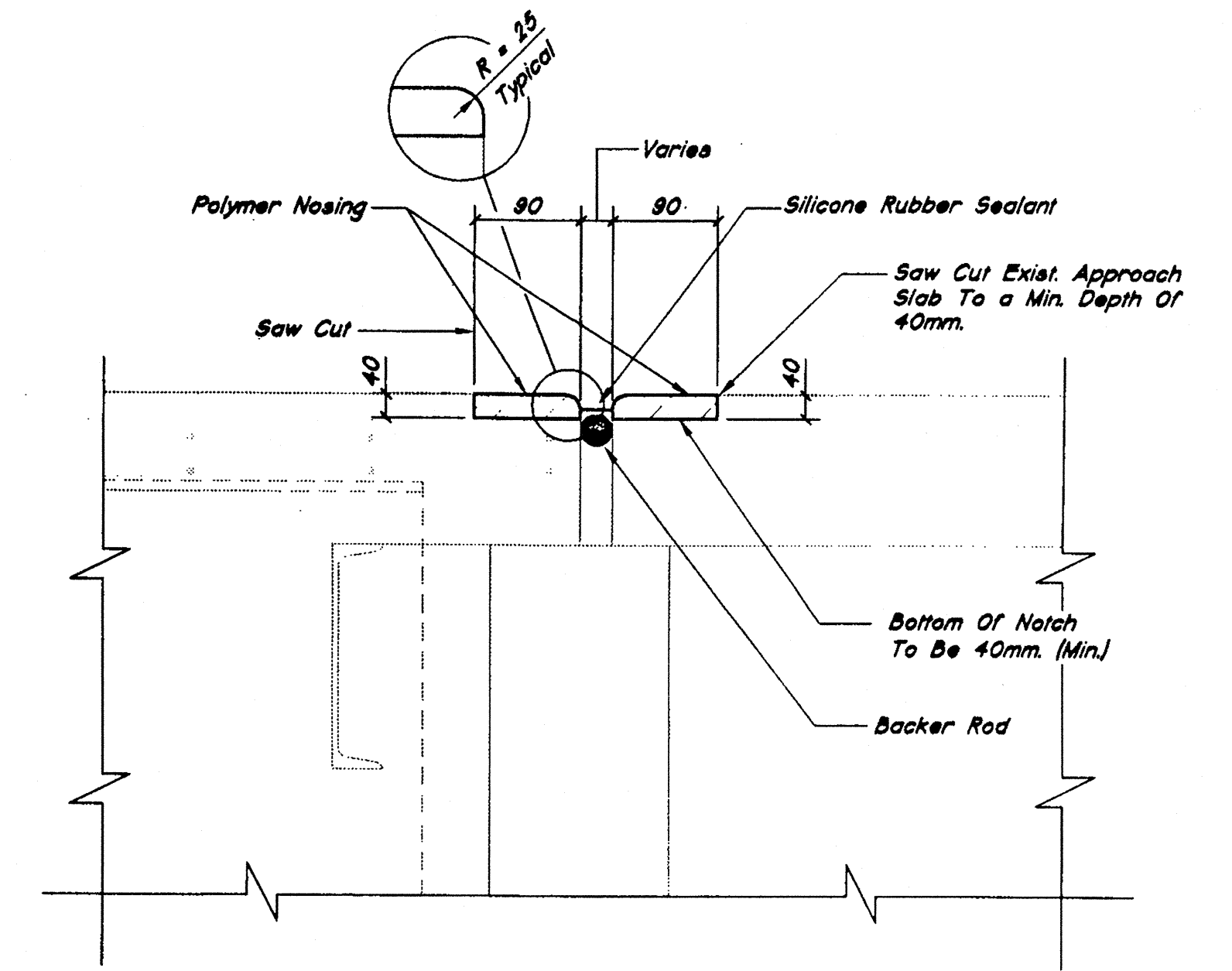
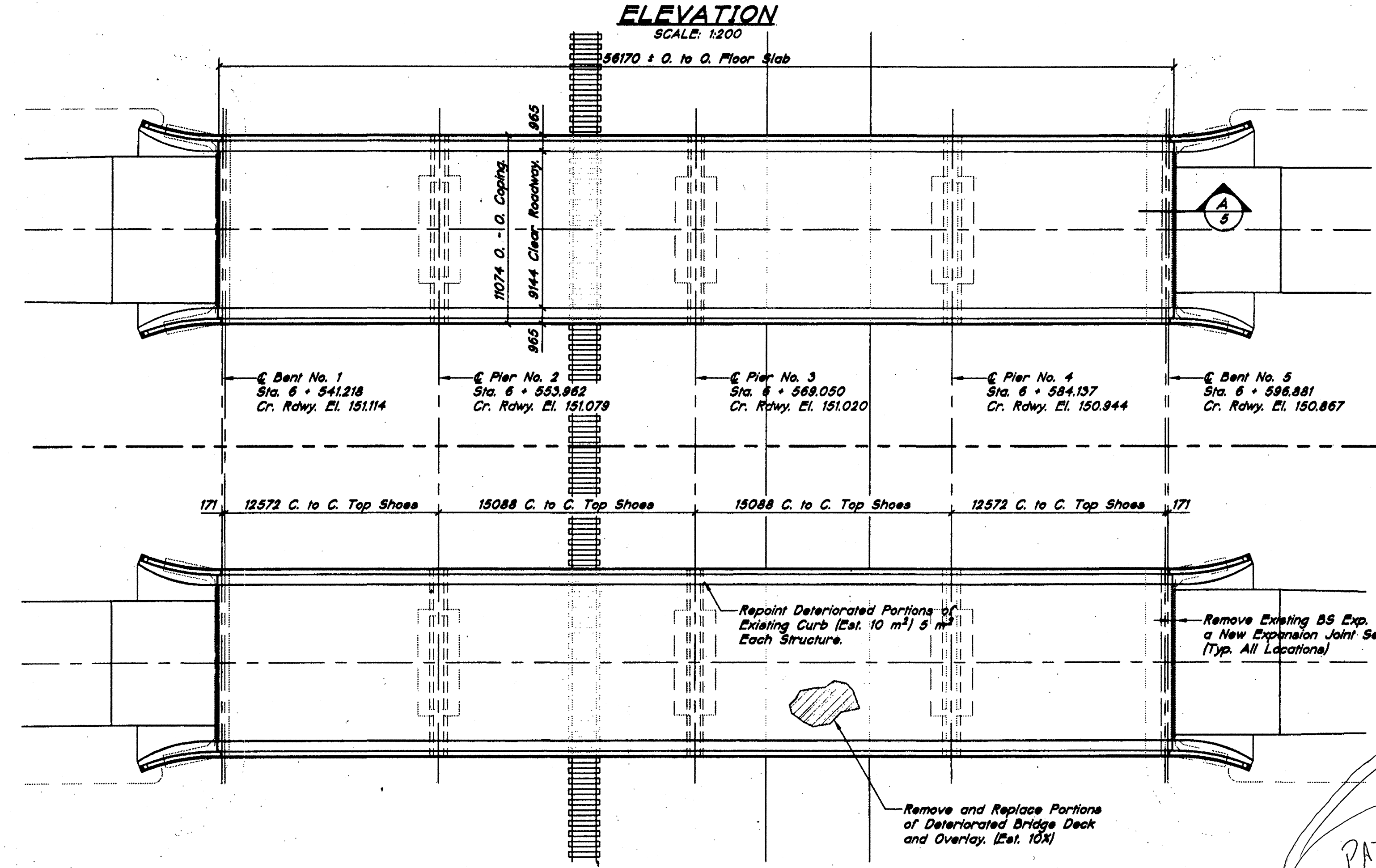
NOTE CHANGES



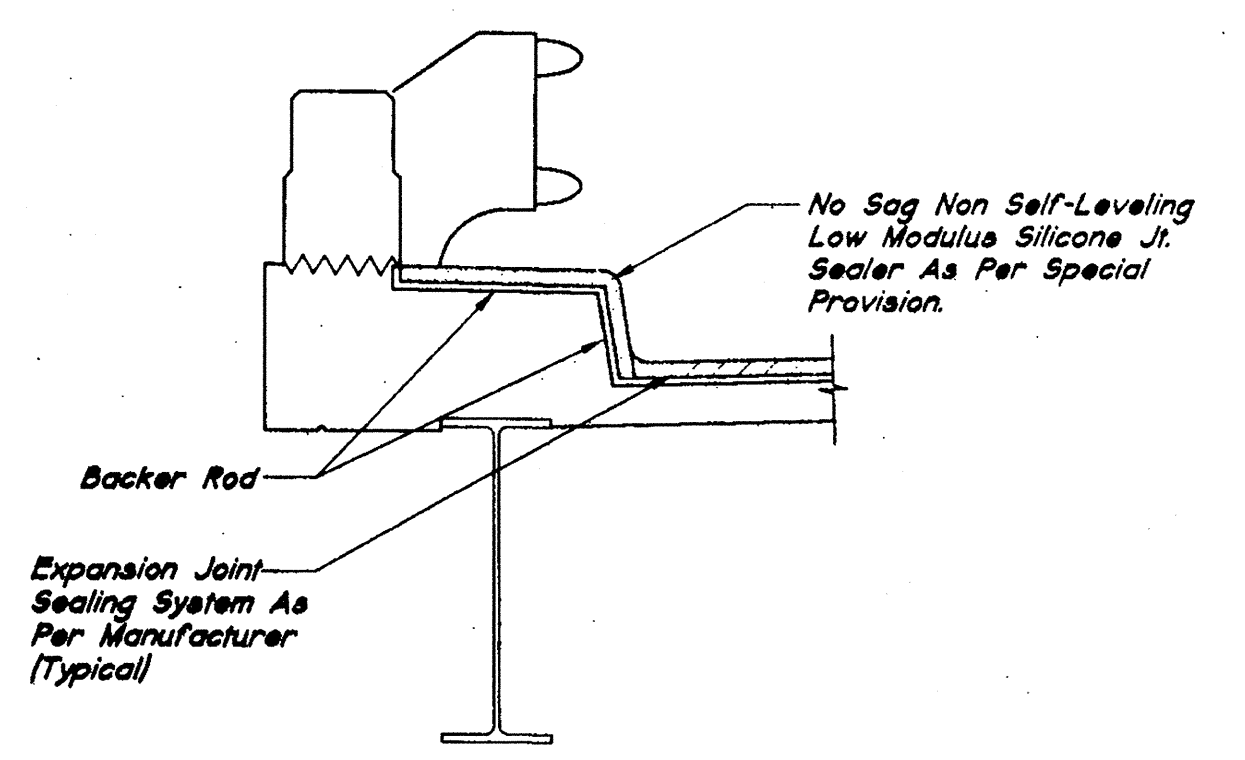
**GENERAL NOTES:**

PLANS FOR THE EXISTING STRUCTURE ARE ON FILE IN THE BRIDGE DEPARTMENT OF THE INDIANA DEPARTMENT OF TRANSPORTATION AS BRIDGE FILES: I-70-4-2310, I-70-4-2310A AND ARE AVAILABLE UPON REQUEST.

WHERE NEW WORK IS TO BE FITTED TO OLD WORK, THE CONTRACTOR SHALL CHECK ALL DIMENSIONS AND CONDITIONS IN THE FIELD AND REPORT ANY ERRORS OR DISCREPANCIES TO THE ENGINEER AND ASSUME RESPONSIBILITY FOR THEIR CORRECTNESS AND THE FIT OF THE NEW PART TO OLD.

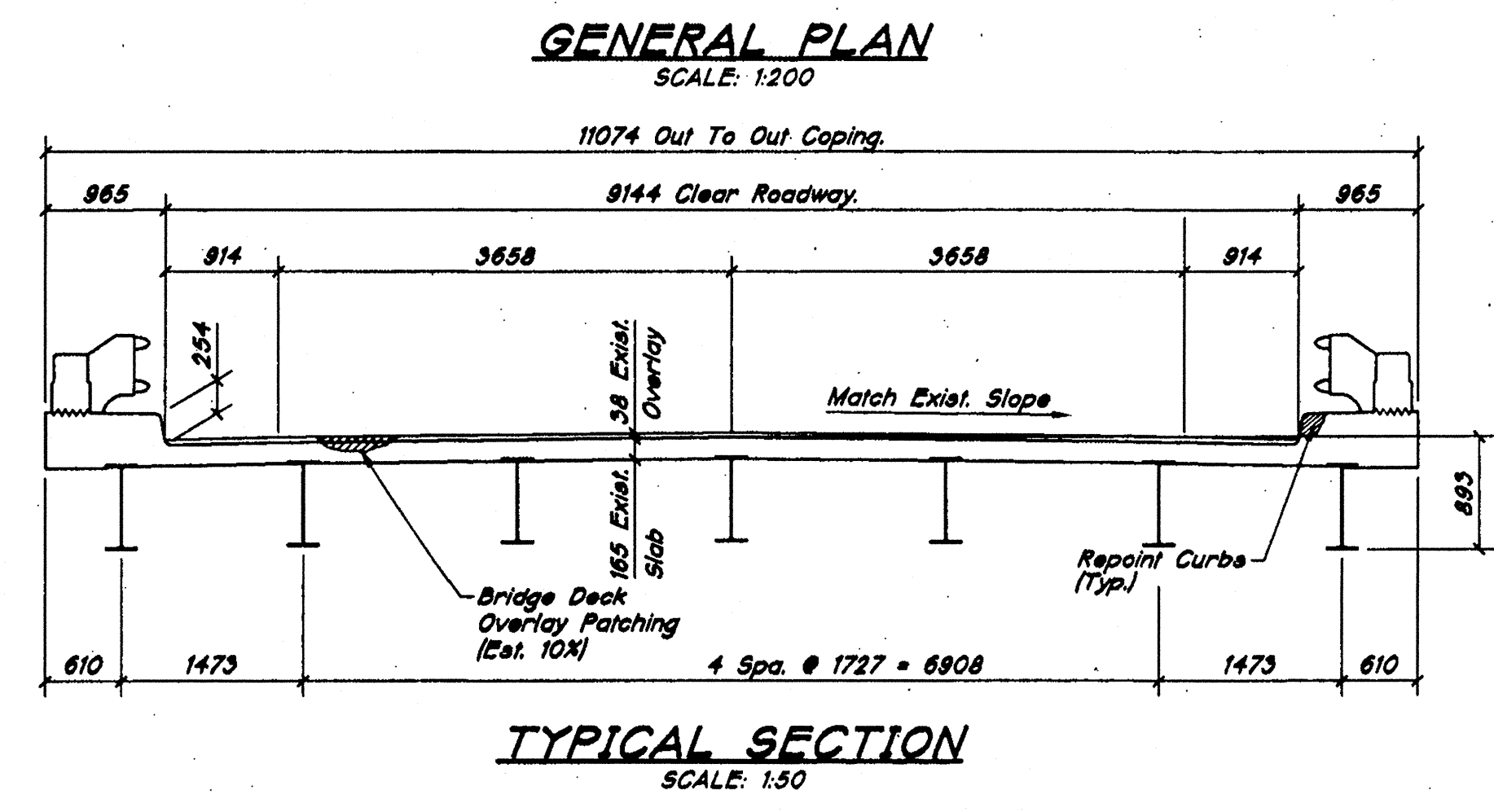


**SECTION A EXPANSION JOINT SEALING SYSTEM**  
SCALE: 1:10



**EXPANSION JOINT SEALING SYSTEM @ CURB & RAILING**  
SCALE: 1:20

PATCHING USED  
FULL DEPTH - 1.0 m<sup>2</sup>  
PARTIAL DEPTH - 20 m<sup>2</sup>  
OVERLAY - 43 m<sup>2</sup>



**TYPICAL SECTION**  
SCALE: 1:50

All Dimensions Are In Millimeters (mm), And All Elevations Are In Meters (m), Except As Noted.

Title: 11-46-10  
 Scale: 1:10  
 Date: 11/17/1997  
 Drawing File: 4588\4588-00.DWG (RDW, ROW)  
 User: AMSTAMP, CURB-JT, RTCSAMP, MET-DATA, EXP-JT, GP-NOTES, BP-SECT, BK-CED, GP-PL, GP-DL



|                          |                    |          |           |
|--------------------------|--------------------|----------|-----------|
| RECOMMENDED FOR APPROVAL | <i>R. D. Patel</i> | DATE     | 4-11-97   |
| DESIGNED:                |                    | DRAWN:   | D. DUNCAN |
| CHECKED:                 |                    | CHECKED: | SS        |

|                                      |  |
|--------------------------------------|--|
| INDIANA DEPARTMENT OF TRANSPORTATION |  |
| GENERAL PLAN DETAILS                 |  |

|                  |              |
|------------------|--------------|
| HORIZONTAL SCALE | BRIDGE FILE  |
| AS SHOWN         | I-70-4-2310B |
| VERTICAL SCALE   | DESIGNATION  |
| AS SHOWN         | 9612770      |
| SURVEY BOOK      | SHEETS       |
|                  | 5 of 5       |
| CONTRACT         | PROJECT      |
| R-23306          | STI/70-1(A)7 |